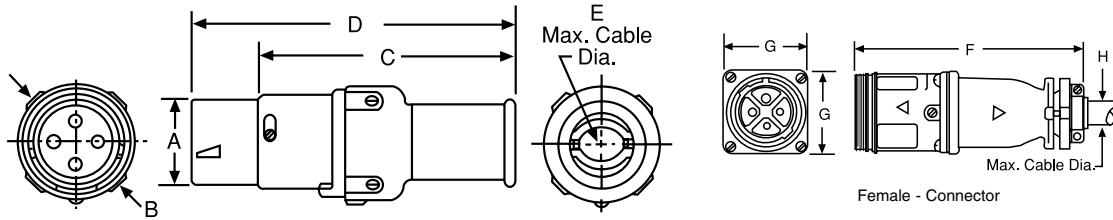


Russellstoll®

Heavy Service Ever-Lok® – Dimensions

Plugs and Connectors



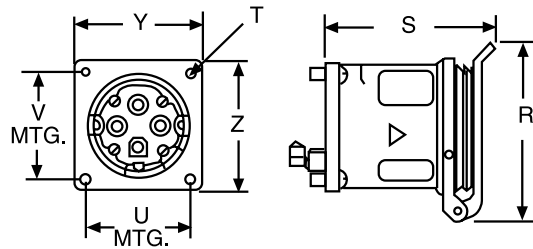
Dimensions for 2, 3 or 4 wire Weathertight Units

Amp	A	B	C*	D	E	F	G	H
30	2"	3"	5.625"	7"	1"	7.625"	2.750"	1.125"
60	2.625"	3.750"	7.687"	9.750"	1.500"	9.625"	3.500"	1.500"
100	2.625"	3.750"	7.687"	11"	1.50"	10.875"	4"	1.875"

* Length of plug exposed when engaged in receptacle or connector.

Russellstoll®

Basic Receptacles



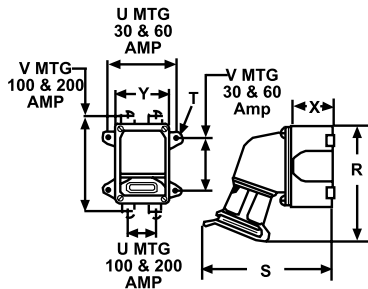
Dimensions for 3 or 4 wire Units

Amp	Y	V	U	T	S	R	Panel Opening
30	2.750"	2.250"	2.250"	0.213"	3.250"	7.000"	2.250" D
60	3.500"	2.875"	2.875"	0.281"	4.625"	8.875"	2.875" D
100	4"	3.375"	3.375"	0.281"	5.875"	10.500"	3"

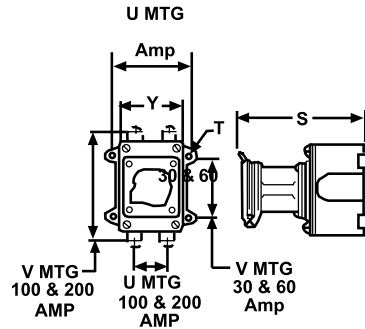
Russellstoll®

Heavy Service Ever-Lok® – Dimensions

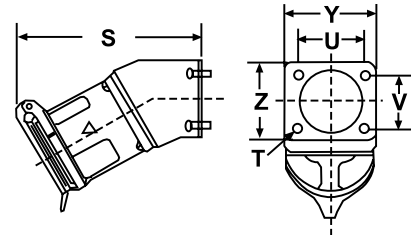
Standard Series HSA



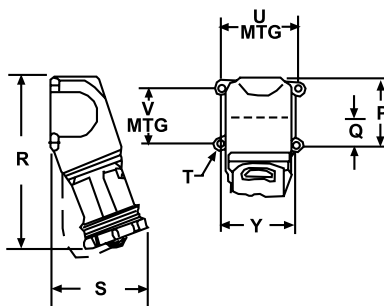
Series HSR



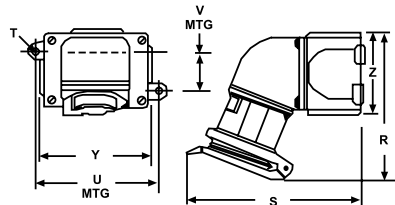
Series HSB



Series HSE



Series HSH



Amp	Series	Z	Y	X	V	U	T	Q	P	S	R	Panel Opening
30	HSA (20°)	4.500"	3.000"	2.375"	2.687"	3.687"	.250"	–	–	7.375"	7	–
	HSA (45°)	4.500"	3.000"	2.375"	2.687"	3.687"	.250"	–	–	7.875"	6.625"	–
	HSR	4.500"	3.000"	2.375"	2.687"	3.687"	.250"	–	–	6.750"	–	–
	HSB	3.125"	3.125"	–	2.250"	2.250"	.213"	–	–	6.250"	–	2.250"
	HSE	–	3.50"	–	–	4.000"	.250"	1.250"	2.375"	5.250"	7.250"	–
	HSH	3.937"	4.500"	2.375"	3.687"	2.687"	.250"	–	–	7.250"	6.125"	–
60	HSA (20°)	5.625"	4.000"	3.000"	3.812"	4.937"	.343"	–	–	9.250"	8.875"	–
	HSA (45°)	5.625"	4.000"	3.000"	3.812"	4.937"	.343"	–	–	9.875"	8.250"	–
	HSR	5.625"	4.000"	3.000"	3.812"	4.937"	.343"	–	–	8.375"	–	–
	HSB	3.187"	3.625"	–	2.187"	2.625"	.281"	–	–	9.250"	–	2.500"
	HSE	–	4.250"	–	3.125"	4.500"	.281"	1.562"	3.687"	6.750"	9.750"	–
100	HSA (20°)	5.500"	5.500"	3.750"	6.750"	4.250"	.343"	–	–	10.750"	10.500"	–
	HSA (45°)	5.500"	5.500"	3.750"	6.750"	4.250"	.343"	–	–	11.750"	9.500"	–
	HSR	5.500"	5.500"	3.750"	6.750"	4.250"	.373"	–	–	12.250"	–	–
	HSB	3.187"	3.625"	–	2.187"	2.625"	.281"	–	–	9.250"	–	2.500"

Note: U = horizontal mounting hole centers; V = vertical mounting hole centers