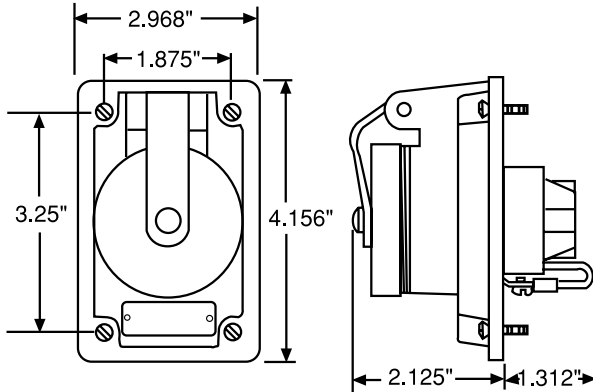
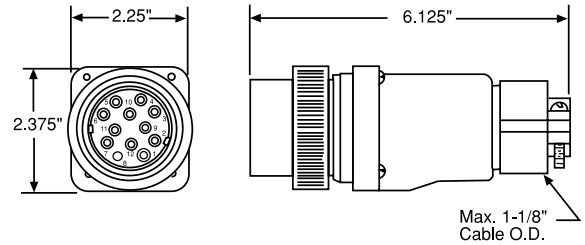
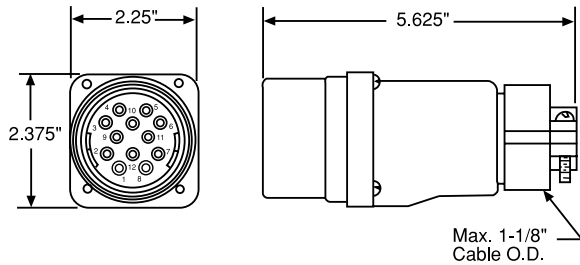
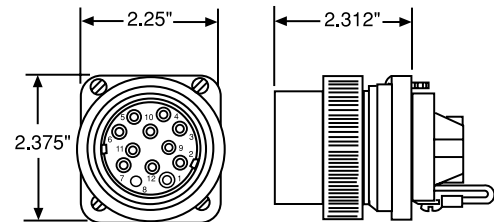


**Russellstoll®****Control Circuits Connectors – Type SKW Dimensions****Receptacle****Style SKWR**

Note: All require FD or DSFD series box mounting.

**Plug****Style SKWP****Connector****Style SKWC****Motor Plug****Style SKWM****H**

Russellstoll®