

Russellstoll®

Control Circuits Connectors – Accessories

Mounting options for Midget & Standard Everlok

Type FS (shallow) & Type FD (deep)

Aluminum boxes have 6-32 cover mounting holes tapped to accommodate all FS and FD cover assemblies.

Brass boxes have 10-24 cover mounting holes tapped to accommodate all FS and FD cover assemblies.



Single Gang



Two Gang



DSFD

No. of Gangs	Type	Cast Aluminum	Cast Brass	*Overall Dimensions
Single	FS	3701A	3721	4.12" x 2.62" x 2.31"
	FD	3711A	3731	4.12" x 2.62" x 2.94"
	DSFD	3781A	3782	4.12" x 3.62" x 4.12"
Two	FS	3702A	3722	4.12" x 5.5" x 2.25"
	FD	3712A	3732	4.12" x 5.62" x 2.87"

Notes:

When type FD devices are to be mounted in boxes, type FD boxes should be used. FS boxes will not accommodate FD devices.

Mounting – all the above boxes are for surface mounting. For flush mounting see page H121.

Boxes – Cast brass, natural finish. Cast aluminum, corrosion resistant copper-free alloy, epoxy powder coat finish.

* Dimensions are overall exclusive of conduit pads and mounting lugs.

Outlets – unless otherwise specified, furnished with one .75" outlet per gang, top or bottom. Additional outlets charged extra – see price list. Specify size and location.

Maximum Conduit – FS and FD: 1", one per gang top and bottom and one each side.

DSFD: one 1.5" or two .5" top and bottom.

Cast iron available on special order – consult factory.

Type FSWS and FDWS (with mounting shelf for box-mounted devices)

Aluminum Die-Cast Boxes with cover mounting holes tapped for 6-32 screws to accommodate all FS and FD cover assemblies.

Cat. No.	Standard Outlets	
	Top	Bottom
FSWS-62	¾"	NA
FDWS-62	¾"	NA
FDWS-622	¾"	¾"
FDWS-63	1"	NA
FDWS-633	1"	1"

Notes:

Boxes – Aluminum die-cast, corrosion-resistant, copper-free alloy, epoxy powder coat finish.

Outlets – standard as listed.

Mounting – all of the above boxes are for surface mounting.



Russellstoll®**Control Circuits Connectors – Accessories****Adapter Flush Frames***

No. of Gangs	Cast Aluminum	Cast Brass	Overall Dimensions
1	3671A	3681	5" x 3.5"
2	3672A	3682	5" x 6.5"

**Blank Cover***

Covers Standard FS/FD box openings

Cast Aluminum	3677A
Cast Brass	3687

**Flush Wall Mounting Extension***

Cast Aluminum	3679A
Cast Brass	3679B

**45° Angle Adapter***

Mounts to any FS/FD box.

Cast Aluminum	3678A
Cast Brass	3678B

**Adapter Sub-Plate**

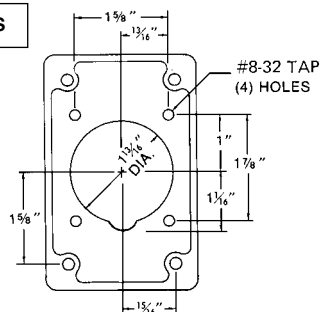
The addition of this adapter sub-plate will permit the use of Ever-Lok conduit box-type receptacles in switch boxes or outlet boxes with raised covers, as listed. Used on standard (deep) stamped metal conduit boxes. Adapts two hole to four hole patterns.

Cast Aluminum	8091A
---------------	--------------

**SKWM Mount Adapter Plate**

Used to mount SKWM to FS/FD standard series boxes.

Aluminum	SKWMFS
----------	---------------



* Furnished complete with gasket and screws.

Materials: Cast aluminum, corrosion-resistant, copper-free alloy, epoxy powder coat finish. Cast brass, natural finish.

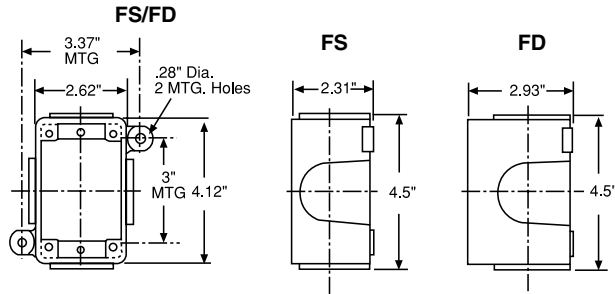
Thomas & Betts

Russellstoll®

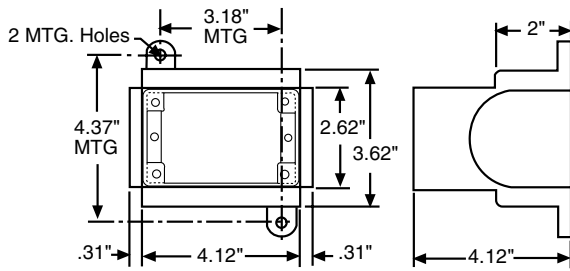
Control Circuits Connectors – Accessories

Type FS & FD

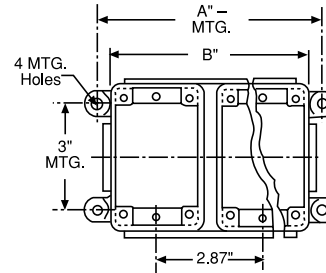
Single Gang



DSFD



Multiple Gang

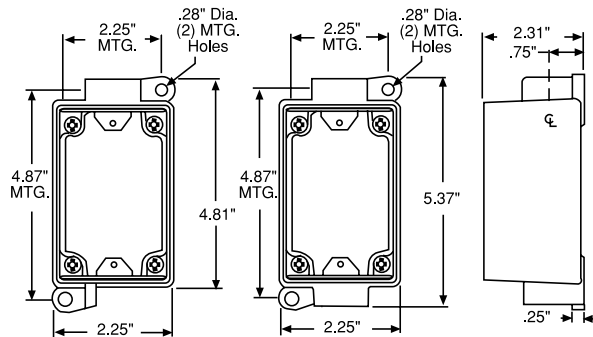


Multiple Gang Dimensions

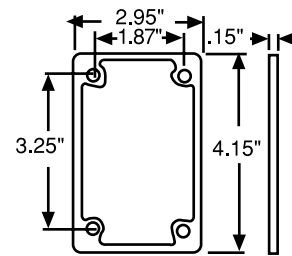
	A		B	
	FS	FD	FS	FD
2-Gang	6.50"	6.50"	5.50"	5.62"

Russellstoll®

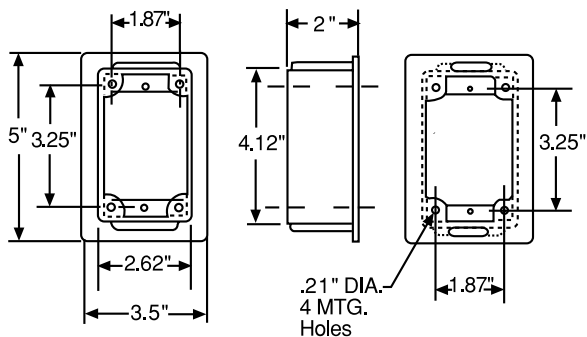
Type FSWS & FDWS



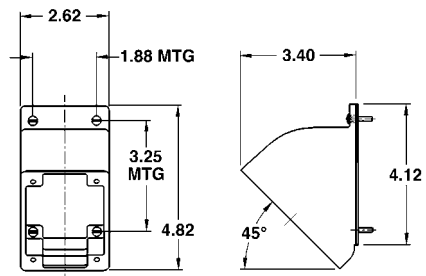
Blank Cover



Flush Mounting Extension



45° Angle Adapter



Russellstoll[®]**Control Circuits Connectors – Accessories****Combination Gland Nut and Cable Clamp**

Provides extra clamping protection in hard service applications. Relieves terminals and rubber gland of all cable strain.

Plug or Connector Size	Cast Aluminum Cat. No.	Cast Brass Cat. No.	Max Cable Dia.
20 Amp & SKW	3906	3906B	1 $\frac{1}{8}$ "

Notes:

Material – cast aluminum, corrosion-resistant, copper-free alloy, cast brass, epoxy powder coat finish or cast brass, natural finish.

Adapters for Conduit

Adapter tapped with NPT thread to accommodate armored and non-metallic cable or flexible conduit.

Plug or Connector Size	Cast Aluminum Cat. No.	Cast Brass Cat. No.	Tapped Hole NPSM
20 Amp & All SKW	FSA21 FSA22 FSA23	FSA21B FSA22B FSA23B	1 $\frac{1}{2}$ " 3 $\frac{3}{4}$ " 1"

HRussellstoll[®]**Cable Bushings**

Hole Diameter for Cable	Size 3 20 Amp
.375"	JG31
.500"	JG32
.563"	JG325
.625"	JG33
.750"	JG34
.875"	JG35
1.000"	JG36*
1.125"	JG361**



Size 3
Cable Bushing

Material – oil resistant neoprene.

Size 3 Cable Bushing:

*Style for Maximum Cable only.

**Special minimum wall style.

Notes:

When standard plugs or connectors are required to be furnished with one or more of the above accessories, add the suffix and catalog number of the accessory selected by a "I" to the catalog number of the plug or connector. Complete list price is the total of the list price of the device plus the list price of the accessory.

EXAMPLE – Catalog No. SKP9G with 1" bushing would be Catalog No. "SKP9G/JG36."