

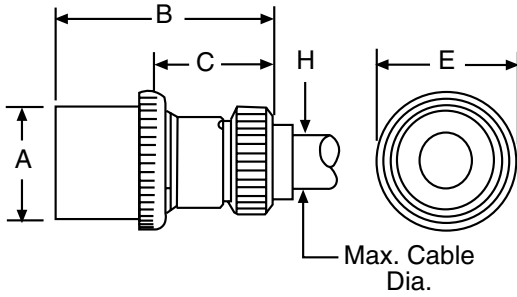
Russellstoll®

FS/FD™ 10-30A Metallic

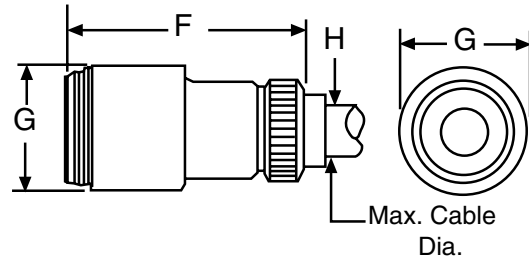
Metallic Plugs, Connectors, Receptacles and Reverse Service Female Plugs/Male Inlets.
10-30A, Maximum 600 VAC/250VDC

Dimensions

Plugs and Female Plugs



Connectors

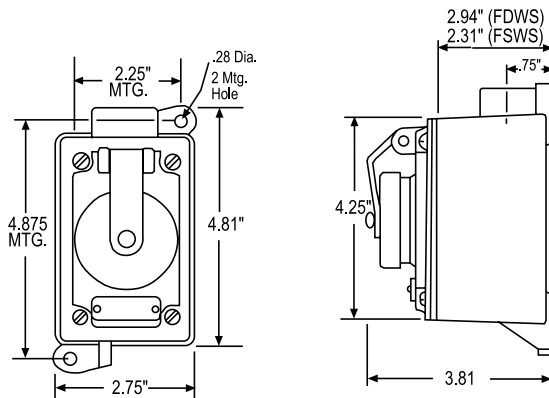


Plug, Female Plug & Connector Dimensions

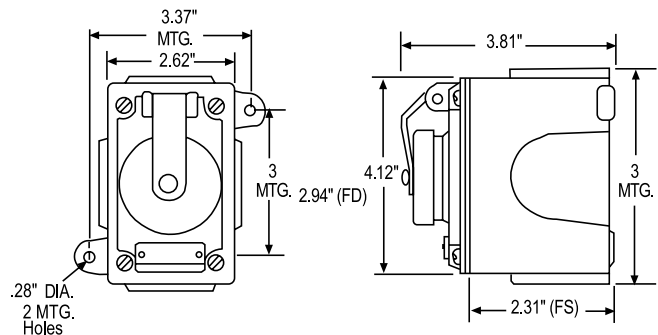
Amps		A	B	C	E	F	G	H
10 Amp	Inches	1.75	3.62	2.25	2.00	4.00	1.87	0.75
	mm	45.65	92.07	57.15	50.80	101.60	47.62	19.050
15 Amp	Inches	1.75	3.62	2.25	2.00	4.00	1.87	0.75
	mm	45.65	92.07	57.15	50.80	101.60	47.62	19.050
20 Amp	Inches	1.75	3.62	2.25	2.00	4.00	1.87	0.75
	mm	45.65	92.07	57.15	50.80	101.60	47.62	19.050
30 Amp	Inches	1.87	3.75	2.25	2.25	4.25	2.25	1.12
	mm	47.62	95.25	57.15	57.15	107.95	57.15	28.57

Receptacles & Male Receptacles

Standard Die Cast Aluminum Back Box
(FSWS/FDWS)



Cast Aluminum / Cast Brass Back Box
(3701-3732 Series)



Russellstoll**FS/FD™ 10-30A Metallic**

Metallic Plugs, Connectors, Receptacles and Reverse Service Female Plugs/Male Inlets.
10-30A, Maximum 600 VAC/250VDC

For Plugs & Connectors – Accessories**Combination Gland Nut and Cable Clamp**

Provides extra clamping protection in hard service applications. Relieves terminals and rubber gland of all cable strain.

Plug or Connector Size	Cast Aluminum Cat. No.	Cast Brass Cat. No.	Max. Cable Dia.
Ex: 3913 10-20 Amp	3905	3905B	.62"
Ex: 3934 20/30 Amp	3906	3906B	1.12"

Notes:

Material – cast aluminum, corrosion-resistant, copper-free alloy, cast brass, epoxy powder coat finish.

Conduit Adapters

Adapter tapped with NPT thread to accommodate armored and non-metallic cable or flexible conduit.

Plug or Connector Size	Cast Aluminum Cat. No.	Cast Brass Cat. No.	Tapped NPT
Ex: 3913 10 -20 Amp	FSA11	FSA11B	1/2"
	FSA12	FSA12B	3/4"
Ex: 3934 20/30 Amp	FSA21	FSA21B	1/2"
	FSA22	FSA22B	3/4"
	FSA23	FSA23B	1"

Type FSA furnished complete with gasket.

H
Russellstoll®

Cable Bushings

Hole Diameter for Cable (inches)	Type 2 10 Amp	Type 3 20 & 30 Amp
.313	SG05	
.375	SG1	JG31
.438	SG15	
.500	SG2	JG32
.531	SG2A	
.563	SG25	JG325
.594	SG2B	
.625	SG3	JG33
.688	SG3A	
.750	SG4	JG34
.875		JG35
1.000		JG36**
1.125		JG361**

Notes:

When standard plugs or connectors are required to be furnished with one or more of the above accessories, add the suffix and catalog number of the accessory selected to the catalog number of the plug or connector. Complete list price is the total of the list price of the device plus the list price of the accessory.

EXAMPLES – Using Catalog No. 3934:

Combo. Gland Nut & Cable Clamp	3934-3906
Adapter at 3/4"	3934-FSA22
1/2" Cable Bushing	3934-JG323



Type 2
Cable Bushing



Type 3
Cable Bushing

Material – oil resistant neoprene.

**Special for large O.D. cable.

Thomas & Betts

Russellstoll®

FS/FD™ 10-30A Metallic

Metallic Plugs, Connectors, Receptacles and Reverse Service Female Plugs/Male Inlets.
10-30A, Maximum 600 VAC/250VDC

Convenience Bladed NEMA Style Receptacles

Designed for **rugged service/commercial interface**, the receptacles below accommodate standard bladed convenience type plugs. They can be furnished in single or

tandem units and in combination with other Russellstoll FS/FD devices. Each **includes** a standard heavy duty cast back box.

Ordering Information

Weathertight (Flap Cap)

Watertight (Screw Cap)



2P3W NEMA Rating*	Aluminum Duplex Receptacle	Brass Single Receptacle	Cast Aluminum (FDWS-62)* Duplex Receptacle	Aluminum Single Receptacle	Brass Single Receptacle
15 Amp 125V 5-15	3998G**	3918G	3960G	3910G	3920G
20 Amp 125V 5-20	3998G-20**	3918G-20	3960G-20	3910G-20	3920G-20

Notes:

Finish – Cast aluminum, corrosion-resistant copper-free alloy, epoxy powder coat finish. Cast brass, national finish.

Gang Types – Can be furnished in gang or tandem units in combination with other Russellstoll FS/FD devices. See Accessory reference charts on page H24 for more information.

Outlets – Unless otherwise specified, furnished with one 3/4" outlet at B or D. Additional or larger outlets charged extra – see price list. Maximum outlet one inch, four way. Specify size and location. Use symbols as indicated on diagram.



* Can be furnished with 250 Volt receptacles. Price on application. All the above receptacles accommodate standard convenience-type plugs.

** The aluminum duplex cover assembly will accept many varied electrical and electronic devices. Please contact your local representative or the factory with your requirements.

◆ Furnished with stamped Flap Cover made of heavy gage steel, cadmium plated, with spring-hinged flap.

Dimensions

Duplex Receptacles

