

Russellstoll®

Hazardous Duty Plugs, Receptacles and Interlocks

Interlocked Switch and Receptacles

Explosion-Proof: Class I, Groups C and D
 Dust Ignition-Proof: Class II, Groups G

These receptacles are for use in general Div. 1 classified industrial installations such as chemical plants, oil refineries, bulk stations, distilleries, solvent areas, mills, etc. A higher degree of safety is afforded by interlocking the plug with the switch, making it impossible to insert or withdraw plug under load.

When the polarized plug is inserted into the receptacle and the plug shell is turned clockwise, it turns the switch to the "on" position and vice-versa.

Ordering Information

20 Amp, 575VAC 30 Amp, 250VAC				
	Description	Flap Cover	Screw Cover	Plug
2P 3W 1 H.P. 220/575VAC	4240FC/ F16081A	4240SC	4241	5/8"
3P 4W 2 H.P. 110/575 VAC	4242FC	4242SC	4243	3/4"

H
 Russellstoll®

Specifications

Receptacle Housings – cast aluminum; electrostatic epoxy powder coated finish.

Plugs – steel, cadmium plated. Furnished with aluminum alloy cable clamp and neoprene cable bushing.

Outlets – standard 3/4" top, additional or larger outlets available. Maximum 1-inch four way. See diagram, use symbols when ordering.

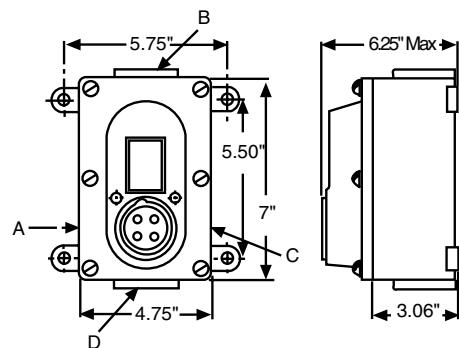
Cable Bushing – oil resistant, neoprene strain relief cable bushing regularly furnished with hole I.D. size as listed. Other hole sizes available consult Technical Services for catalog number.

Two Gang style – Consult Technical Services.

Approvals:  E10919



Dimensions



For 2 gang unit, width 9 3/8"
 Mounting Lugs – C. TO C. 10 1/2" W X 5 1/2" H

