

Russellstoll®

DuraGard® Waterproof Connections

Washdown Duty, Chemical, Outdoor, Industrial & Marine Use Non-Metallic Plugs, Connectors Receptacles & Inlets – 20, 30 & 50 Amp, Maximum 600 VAC/250 VDC

Safety Interlocks

Features & Benefits

Circuit Breaker Interlocked Outlet.

- 30A & 50A ranges and polarizations to 480VAC.
- 22KA Interrupt Capacity Breaker.
- Easy handle reset after trip.
- Auxiliary switch or other options.

User Friendly – Flexible Mounting.

- Variable footprint mounting tabs.
- Compact size fits 8" standard I-Beam webs.
- Conduit entry from top, bottom or side.
- Large red handle with lockout access.

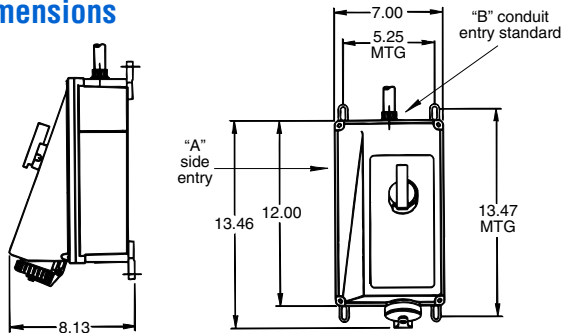
Flame Rated & DuraV™ Tough Housing.

- UL94-V0 housing and interior with Stainless Steel components.
- High impact thermoplastic housing.
- NEMA 4X construction.



The *only* non-metallic, 22KAIC, 20, 30, & 50A series circuit breaker interlocked receptacle available today.

Dimensions



Ordering Information

AMPS	3P4W examples shown: Voltage Polarization	Cat. No.			
		Safety Interlock With Circuit Breaker	Circuit Breaker Trip Rating	Mating Plug	Safety Interlock With Non-Automatic Safety Switch
3P4W 30A	125/250 VAC	◆ 1			
	250 3Ø VAC	9MT34U1W30B	30A	9P34U1	9MI34U1WNAB
	480 3Ø VAC	9MT34U2W30B	30A	9P34U2	9MI34U2WNAB
	600 3Ø VAC	9MT34U4W30B	30A	9P34U4	9MI34U4WNAB
	Thru 600 VAC/ 3P4W	9MT34U5W30B	30A	9P34U5	9MI34U5WNAB
		9MT34U0W30B	30A	9P34U0	9MI34U0WNAB
3P4W 50A	125/250 VAC	9MT54U1W50B	50A	9P54U1	9MI54U1WNAB
	250 3Ø VAC	9MT54U2W50B	50A	9P54U2	9MI54U2WNAB
	480 3Ø VAC	9MT54U4W50B	50A	9P54U4	9MI54U4WNAB
	600 3Ø VAC	9MT54U5W50B	50A	9P54U5	9MI54U5WNAB
	Thru 600 VAC/ 3P4W	9MT54U0W50B	50A	9P54U0	9MI54U0WNAB

Notes: 1. Change suffix for alternate trip ratings. Example: 9MT54U2W30B - 50 Amp, 3P4W, Safety Interlock with 30 Amp circuit breaker, conduit top entry.

◆ Change "W" to "F" for flap cap access. Example: 9MI34U2F30B - 30 Amp, 3P4W, Safety Interlock with non-automatic safety switch and flap cap.

Thomas & Betts

Russellstoll®

DuraGard® Waterproof Connections

Washdown Duty, Chemical, Outdoor, Industrial & Marine Use Non-Metallic Plugs, Connectors Receptacles & Inlets – 20, 30 & 50 Amp, Maximum 600 VAC/250 VDC

Safety Interlocks Engineering Specifications

Performance – Electrical

Dielectric Voltage Withstand	3,000 Volts
Max. Working Voltage	480 volts RMS (minimum creepage distance and minimum clearance per UL 840) (using circuit breaker)
Circuit Interrupting/ Load Breaking	UL listed and CSA certified for circuit interrupting at full rated current.
Temperature Rise	Max. 30°C temperature rise at full rated current after 50 cycles of overload at 150% rated current at .75-pf.
Shrouded Contacts	Complies with California Code Title 8, Art. 51,S2510.7(b) for devices exceeding 300 VAC
Horsepower	Exceeds NEC 430-151 ratings (Circuit Breaker)

Performance – Mechanical

Impact Resistance	Per UL 1682 Paragraph 34
Wiring Accommodation	Conduit Entries at top, side and bottom. .750" NPT top entry standard
Terminal Identification	In accordance with UL1682
Plug Pull Out Force	In accordance with UL1682
Product Identification	Identification label
Lockout/Tagout	Lockout/Tagout access on switch complies with OSHA Reg. 29 CFR 1910.147

Performance – Environmental

Moisture Resistance	Per UL1682 Paragraph 49. Watertight/flap screw cover on receptacle, O-Rings on all pins and sleeves, interiors and plug shell. Watertight even when not engaged. (Screw cover closed / locked)
Flammability Operating	VØ or better per UL94 Maximum Continuous: 95°C / 203°F
Temperatures	Minimum: -40°C / -40°F w/o impact (note: per C/B trip curves at elevated temps.)
Chemicals	Resists standard industrial hydrocarbons, acids, bases and solvents.
UV Resistance	UV stabilized material.

Material

Contact Carrier Interior	Molded arc resistant UL94-V0 thermoset material
Housing, Gland Nuts Screw Collar Rings	DuraV™ UL94-V0, High Impact Thermoplastic
O-Rings	Buna-N (Nitrile)
Contacts: Pins & Sleeves	Brass CDA 360
Hinge Pins (Receptacle)	Stainless Steel
Terminals	Brass CDA 360
Terminal Screws Flap Springs Assembly Screws Nuts, Hardware	Stainless Steel

Approvals

