

# Russellstoll®

## Mechanically Interlocked Receptacles

### Specifications

#### Housings:

Cast Brass, Natural Finish.

Cast Aluminum, corrosion-resistant, copper-free alloy, epoxy powder coat finish.

**Cable Bushings:** Oil resistant neoprene strain-relief cable bushings regularly furnished with hole size as listed for plug. Other hole sizes available if specified on order. See Accessory Reference Section, Bushing Sizes Page H61.

**Outlets:** Unless otherwise specified, boxes are furnished blank.

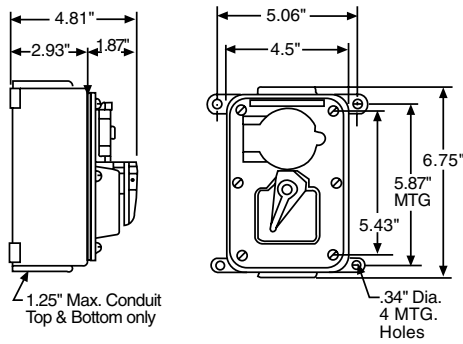
Receptacle Interlocked With Switch – Maximum conduit outlets 1 3/4" top and bottom. Specify outlets required.

Receptacle Interlocked With Circuit Breaker – Maximum conduit outlet 1 3/4" at locations V, W, X, Y and Z as per diagram. Specify outlets required, use symbols.

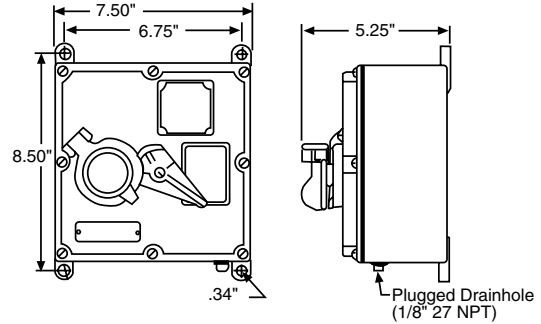
### Dimensions

#### Interlocked with Switch Surface Mount

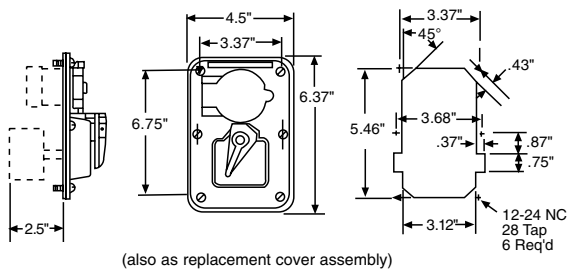
Cat. nos. F18196B&C and F20493A&B



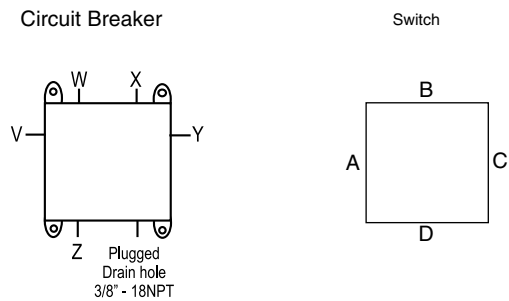
#### Interlocked with Circuit Breaker



#### Machine Panel Mount

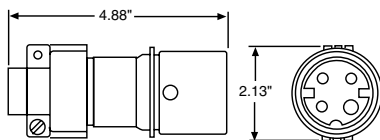


#### Floor Extension Mount

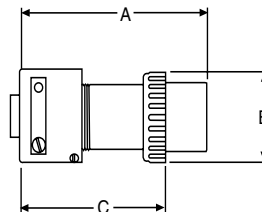


#### Standard Plug

20/30 Amp FS/FD



30/50 Amp DuraGard



Amps		A*	B	C*
30 Amp	Inches	5.38	2.38	4.16
	mm	136.6	60.5	105.7
50 Amp	Inches	5.75	2.38	4.16
	mm	146.1	60.5	105.7