

Russellstoll®**North American Amperages – UniGard™ Series Specifications****Performance - Electrical**

Dielectric Voltage Withstand	3000 Volts for 1 minute (fixed devices) 2200 Volts for 1 minute (portable devices)
Maximum Working Voltage	600VAC/250 VDC (minimum creepage and clearances per UL 840)
Current Interrupting/Load Breaking	Tested to 150% of full rated current for circuit interrupting
Temperature Rise	Maximum 30°C rise at full rated current after 50 cycles overload at 150% rated load at 0.75-pf
Endurance with Load Per IEC309-1 Clause 21	20 Amp: 5000 cycles; Load only 30 Amp: 1000 cycles - Alternating load 60 Amp: 1000 cycles - Alternating load 100 Amp: 250 cycles - Alternating load

Performance - Mechanical

Cold (-25°C) Impact Resistance	Per UL 1682 Section 34 and IEC 309-1 Clause 24
Cable O.D. Accommodation	Round portable service cord from 0.57" O.D. through 1.79" O.D.
Terminal Identification	In accordance with UL 1682 standards and IEC390-1: as L1-L2-L3-N-G
Cable Pull-Out Force	Per UL 1682 Section 33 and IEC309-1 Clause 23
Product Identification	Molded-in product trademark(s) and UL approved product label

Performance - Environmental

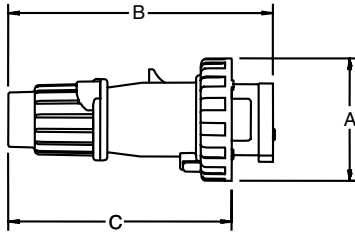
Moisture Resistance	Per IEC309-1; Watertight flap/screw cover on IP67 devices or splashproof flap cover on IP44 devices
Flammability	All components V1 or better per UL94, V0 product ratings available
Operating Temperatures	Maximum Continuous 90°C/194°F, Minimum -25°C/-13°F
Chemical Resistance	Resists standard industrial hydrocarbons, acids, bases and solvents
Corrosion Resistance	All metallic components stainless steel or nickel plated brass Sleeve pressure rings of zinc plated steel

Materials

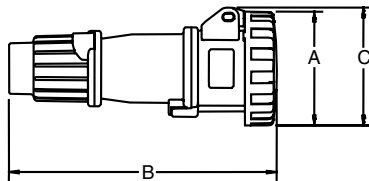
Housing	Valox®
Contact Carriers	Valox®
Cable Gland Nut	Valox®
Cable Bushing	Solid neoprene, onion ring type
O-Ring, Seals & Gaskets	Solid neoprene
Pins & Sleeves	Nickel plated brass
Sleeve Force Ring	Zinc plated steel
Terminal Screws	Nickel plated steel
Flap/Screw Cover Springs	Stainless steel
EZ CliK™ Spring	Stainless steel
Mounting Flanges	Valox®
Cast Enclosures/Adapters	2 Layer electrostatic epoxy coated, copper-free aluminum enclosures (Valox® Euro style NM also available)

(Valox® is a trademark of GE)

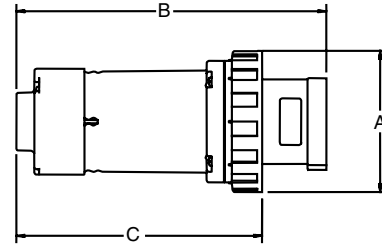


Russellstoll[®]**UniGard™ Series IP67 Dimensions****Plug IP67 16/20A and 30/32A**

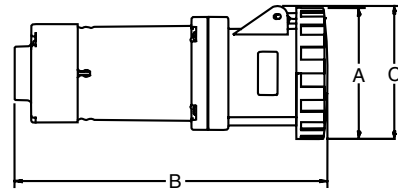
Cat. No.	A		B		C		Cord Grip Range	
	inches	mm	inches	mm	inches	mm	inches	mm
16/20A 2P3W	2.87	73	6.20	157	5.23	133	.570-.710	14-18
16/20A 3P4W	3.17	81	6.47	164	5.51	140	.570-.710	14-18
16/20A 4P5W	3.48	88	7.02	178	6.06	154	.570-.710	14-18
30/32A 2P3W	3.66	93	7.37	187	6.13	156	.675-.910	17-23
30/32A 3P4W	3.66	93	7.37	187	6.13	156	.675-.910	17-23
30/32A 4P5W	3.96	101	8.15	207	6.91	176	.675-.910	17-23

**Connector IP67 16/20A and 30/32A**

Cat. No.	A		B		C		Cord Grip Range	
	inches	mm	inches	mm	inches	mm	inches	mm
16/20A 2P3W	2.87	73	6.75	171	2.97	75	.570-.710	14-18
16/20A 3P4W	3.17	81	7.04	179	3.28	83	.570-.710	14-18
16/20A 4P5W	3.48	88	7.62	194	3.75	95	.570-.710	14-18
30/32A 2P3W	3.66	93	8.04	204	4.04	103	.675-.910	17-23
30/32A 3P4W	3.66	93	8.04	204	4.04	103	.675-.910	17-23
30/32A 4P5W	3.96	101	8.83	224	4.03	102	.675-.910	17-23

**Plug IP67 60/63A and 100/125A**

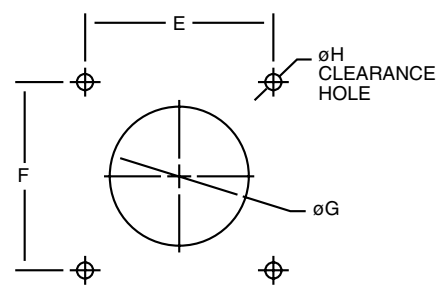
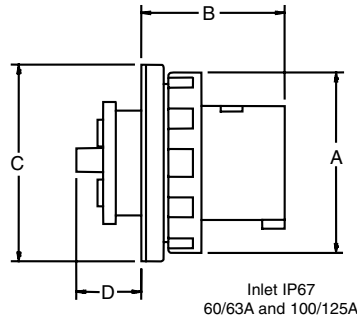
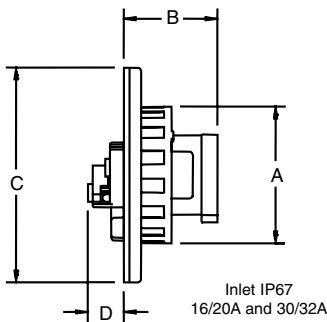
Cat. No.	A		B		C		Cord Grip Range	
	inches	mm	inches	mm	inches	mm	inches	mm
60/63A 2P3W	4.41	112	9.68	246	7.67	195	.937-1.375	24-35
60/63A 3P4W	4.41	112	9.68	246	7.67	195	.937-1.375	24-35
60/63A 4P5W	4.41	112	9.68	246	7.67	195	.937-1.375	24-35
100/125A 3P4W	5.06	129	12.16	309	9.83	250	1.265-1.790	32-45
100/125A 4P5W	5.06	129	12.16	309	9.83	250	1.265-1.790	32-45

**Connector IP67 60/63A and 100/125A**

Cat. No.	A		B		C		Cord Grip Range	
	inches	mm	inches	mm	inches	mm	inches	mm
60/63A 2P3W	4.41	112	10.52	267	4.47	114	.937-1.375	24-35
60/63A 3P4W	4.41	112	10.52	267	4.47	114	.937-1.375	24-35
60/63A 4P5W	4.41	112	10.52	267	4.47	114	.937-1.375	24-35
100/125A 3P4W	5.06	129	12.80	325	5.06	129	1.265-1.790	32-45
100/125A 4P5W	5.06	129	12.80	325	5.06	129	1.265-1.790	32-45

HRussellstoll[®]**Thomas & Betts**

UniGard™ Series IP67 Dimensions

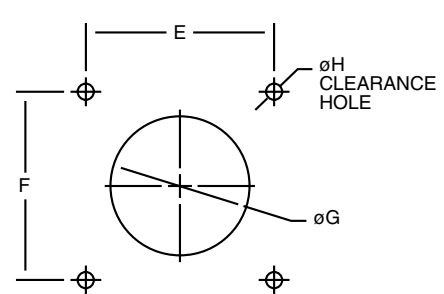
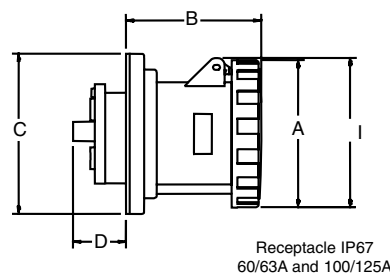
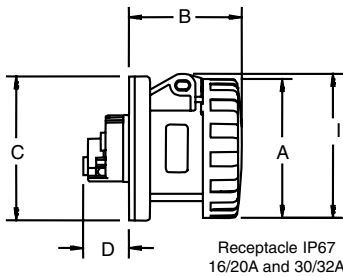


Inlet IP67 16/20A and 30/32A

Cat. No.	A		B		C		D		E		F		G		H	
	inches	mm	inches	mm	inches	mm	inches	mm	inches	mm	inches	mm	inches	mm	inches	mm
16/20A 2P3W	2.87	73	1.96	50	4.50	114	.75	19	3.87	98	3.87	98	3.0	76	.282	7.2
16/20A 3P4W	3.17	81	1.96	50	4.50	114	.75	19	3.87	98	3.87	98	3.03	77	.282	7.2
16/20A 4P5W	3.48	88	1.96	50	4.50	114	.75	19	3.87	98	3.87	98	3.5	89	.282	7.2
30/32A 2P3W	3.66	93	2.32	59	4.50	114	1.32	34	3.87	98	3.87	98	3.5	89	.282	7.2
30/32A 3P4W	3.66	93	2.32	59	4.50	114	1.32	34	3.87	98	3.87	98	3.5	89	.282	7.2
30/32A 4P5W	3.96	101	2.32	59	4.50	114	1.32	34	3.87	98	3.87	98	3.75	95	.282	7.2

Inlet IP67 60/63A and 100/125A

Cat. No.	A		B		C		D		E		F		G		H	
	inches	mm	inches	mm	inches	mm	inches	mm	inches	mm	inches	mm	inches	mm	inches	mm
60/63A 2P3W	4.41	112	3.44	87	4.50	114	1.68	43	3.87	98	3.87	98	3.5	89	.282	7.2
60/63A 3P4W	4.41	112	3.44	87	4.50	114	1.68	43	3.87	98	3.87	98	3.5	89	.282	7.2
60/63A 4P5W	4.41	112	3.44	87	4.50	114	1.68	43	3.87	98	3.87	98	3.5	89	.282	7.2
100/125A 3P4W	5.06	129	3.88	99	5.50	140	1.94	49	4.87	124	4.87	124	4.5	114	.282	7.2
100/125A 4P5W	5.06	129	3.88	99	5.50	140	1.94	49	4.87	124	4.87	124	4.5	114	.282	7.2



Receptacle IP67 16/20A and 30/32A

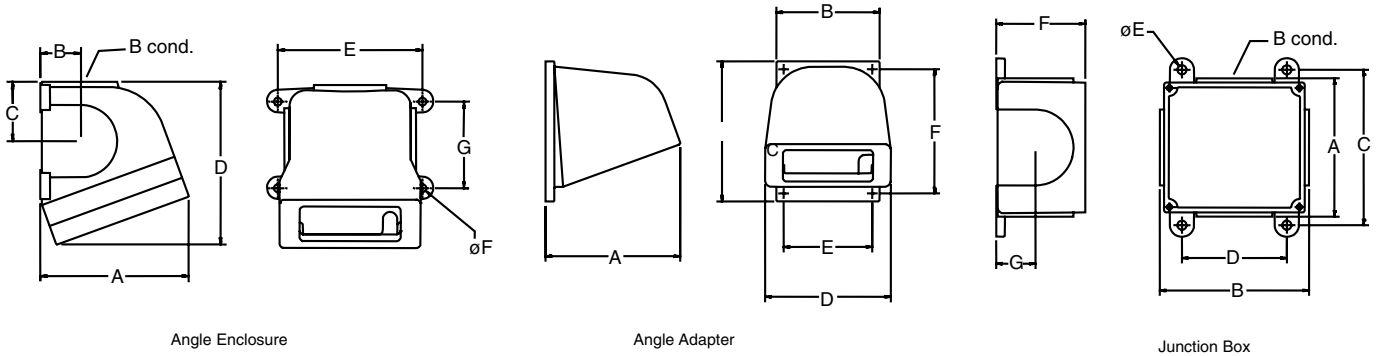
Cat. No.	A		B		C		D		E		F		G		H		I	
	inches	mm	inches	mm	inches	mm	inches	mm	inches	mm	inches	mm	inches	mm	inches	mm		
16/20A 2P3W	2.87	73	2.32	59	2.97	.76	.94	24	2.36	60	2.36	60	2.56	65	.219	5.5	2.97	75
16/20A 3P4W	3.17	81	2.34	60	2.97	.76	.94	24	2.36	60	2.36	60	2.56	65	.219	5.5	3.28	83
16/20A 4P5W	3.48	88	2.37	60	2.97	.76	.94	24	2.36	60	2.36	60	2.56	65	.219	5.5	3.75	95
30/32A 2P3W	3.66	93	2.79	71	2.97	.76	1.52	39	2.36	60	2.36	60	2.56	65	.219	5.5	4.04	103
30/32A 3P4W	3.66	93	2.79	71	2.97	.76	1.52	39	2.36	60	2.36	60	2.56	65	.219	5.5	4.04	103
30/32A 4P5W	3.96	101	2.81	71	2.97	.76	1.52	39	2.36	60	2.36	60	2.56	65	.219	5.5	4.03	102

Receptacle IP67 60/63A and 100/125A

Cat. No.	A		B		C		D		E		F		G		H		I	
	inches	mm	inches	mm	inches	mm	inches	mm	inches	mm	inches	mm	inches	mm	inches	mm		
60/63A 2P3W	4.41	112	4.16	106	4.50	114	1.68	43	3.87	98	3.87	98	3.5	89	.282	7.2	4.47	114
60/63A 3P4W	4.41	112	4.16	106	4.50	114	1.68	43	3.87	98	3.87	98	3.5	89	.282	7.2	4.47	114
60/63A 4P5W	4.41	112	4.16	106	4.50	114	1.68	43	3.87	98	3.87	98	3.5	89	.282	7.2	4.47	114
100/125A 3P4W	5.06	129	4.52	115	5.50	140	1.94	49	4.87	124	4.87	124	4.5	114	.282	7.2	5.06	129
100/125A 4P5W	5.06	129	4.52	115	5.50	140	1.94	49	4.87	124	4.87	124	4.5	114	.282	7.2	5.06	129

Russellstoll®

UniGard™ Series Dimensions



20° Angle Enclosures*

Cat. No.	Conduit Size	Use	A		B		C		D		E		F		G	
			inches	mm	inches	mm	inches	mm	inches	mm	inches	mm	inches	mm	Inches	mm
BE3-B75	¾"	20A & 30A Devices	3.34	85	.97	25	1.12	28	4.12	105	4.00	102	.25	6	2.38	60
BE3-B100	1"	20A & 30A Devices	3.34	85	.97	25	1.12	28	4.12	105	4.00	102	.25	6	2.38	60
AE6-B125	1¼"	60A Devices	5.13	130	1.41	36	2.05	52	5.62	143	5.00	127	.28	7	3.00	76
AE6-B150	1½"	60A Devices	5.13	130	1.41	36	2.05	52	5.62	143	5.00	127	.28	7	3.00	76
AE10-B150	1½"	100A Devices	7.05	179	1.81	46	2.68	68	6.88	175	5.50	140	.34	9	4.00	102
AE10-B200	2"	100A Devices	7.05	179	1.81	46	2.68	68	6.88	175	5.50	140	.34	9	4.00	102

* For use where there is no existing T&B Russellstoll JB series junction box installed. For 20/30A inlets, use 60A size.

20° Angle Adapters*

Cat. No.	Use	A		B		C		D		E		F	
		inches	mm	inches	mm	inches	mm	inches	mm	inches	mm	inches	mm
AA3	20A & 30A Devices	3.17	81	3.00	76	4.25	108	3.00	76	2.50	64	3.75	95
AA6L	60A Devices	5.23	133	4.00	102	5.43	138	4.88	124	3.44	87	4.81	122
AA10L	100A Devices	7.36	187	5.50	140	5.50	140	6.00	152	4.87	124	4.87	124

* To be used with JB series junction boxes or panel mount. For 20/30A inlets, use 60A size.

Rectangular Junction Boxes*

Cat. No.	Conduit Size	Use	A		B		C		D		E		F		G	
			inches	mm	inches	mm	inches	mm	inches	mm	inches	mm	inches	mm	Inches	mm
JB3-B75	¾"	20A & 30A Devices	2.94	75	4.19	106	3.69	94	2.69	68	.25	6	2.38	60	1.25	32
JB3-B100	1"	20A & 30A Devices	2.94	75	4.19	106	3.69	94	2.69	68	.25	6	2.38	60	1.25	32
JB6-B125	1¼"	60A Devices	4.00	102	5.63	143	4.94	125	3.81	97	.34	9	3.00	76	1.50	38
JB6-B150	1½"	60A Devices	4.00	102	5.63	143	4.94	125	3.81	97	.34	9	3.00	76	1.50	38
JB10-B150	1½"	100A Devices	5.50	140	5.50	140	4.25	108	6.75	171	.34	9	3.75	95	2.00	51
JB10-B200	2"	100A Devices	5.50	140	5.50	140	4.25	108	6.75	171	.34	9	3.75	95	2.00	51

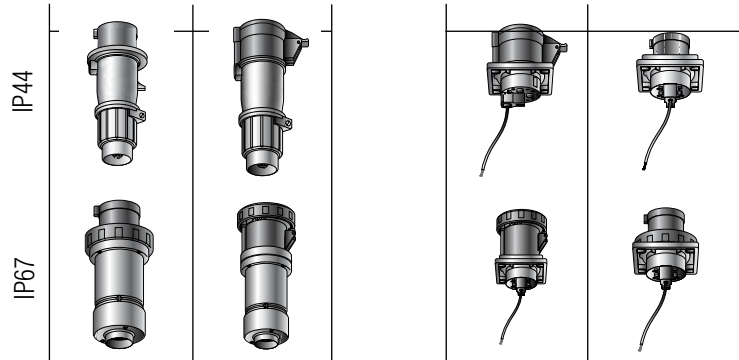
* Unless otherwise specified, junction boxes are furnished with one conduit size at location B. To be used with AA series angle adapters. For 20/30A inlets, use 60A size.

Russellstoll®

UniGard™ International Amperages

International Ratings

Common polarizations shown – other ratings are available – contact Technical Services. for 16A or 32A IP67 watertight ratings (-W suffix) substitute -W instead of -S in catalog number. ex. RS316P4W}



	Poles & Wires	Configuration			Voltage/Color Coding	Plug	Connector	Cable O.D. Range Inches	Receptacle	Inlet
		Receptacle/Connector	Plug/Inlet	Clock Hour						
16 Amp IP44	2P3W			4h	110V	RS316P4S	RS316C4S	.57-.71	RS316R4S	RS316B4S
	2P3W			6h	250V	RS316P6S	RS316C6S	.57-.71	RS316R6S	RS316B6S
	3P4W			6h	380-415V	RS416P6S	RS416C6S	.57-.71	RS416R6S	RS416B6S
	4P5W			6h	220-240/380-415V	RS516P6S	RS516C6S	.57-.71	RS516R6S	RS516B6S

See Page H74 for Conduit Adapter Options

32 Amp IP44	2P3W			4h	110V	RS332P4S	RS332C4S	.675-.91	RS332R4S	RS332B4S
	2P3W			6h	250V	RS332P6S	RS332C6S	.675-.91	RS332R6S	RS332B6S
	3P4W			6h	380-415V	RS432P6S	RS432C6S	.675-.91	RS432R6S	RS432B6S
	3P4W			3h	380-440V	Special Application – Contact Technical Services				
	4P5W			6h	220-240/380-415V	RS532P6S	RS532C6S	.675-.91	RS532R6S	RS532B6S

See Page H75 for Conduit Adapter Options

63 Amp IP67	2P3W			6h	250V	RS363P6W	RS363C6W	.937-1.375	RS363R6W	RS363B6W
	3P4W			6h	380-415V	RS463P6W	RS463C6W	.937-1.375	RS463R6W	RS463B6W
	4P5W			6h	220-240/380-415V	RS563P6W	RS563C6W	.937-1.375	RS563R6W	RS563B6W

See Page H76 for Conduit Adapter Options

125 Amp IP67	2P3W**			6h	250V	RS3125P6W	RS3125C6W	1.265-1.790	RS3125R6W	RS3125B6W
	3P4W			6h	380-415V	RS4125P6W	RS4125C6W	1.265-1.790	RS4125R6W	RS4125B6W
	4P5W			6h	220-240/380-415V	RS5125P6W	RS5125C6W	1.265-1.790	RS5125R6W	RS5125B6W

*See Page H81 for back box/mounting options.

Euro color is “red ■”; devices supplied in North America will use “blue ■” color (mating is not affected.)

**Alternate vendor supplied item; construction features will vary from specs in this catalog. Full IEC approval and mating guaranteed.

Contact Technical Services for inlet/receptacle mounting components.

UL Classification E205590

Note: All UniGard 63 & 125 Amp devices ship standard with IEC 309-1 configuration “pilot” pin/sleeves used for auxillary contact service.

Special construction without these pilot contacts is available.

(Add “XC” to end of cat. no.)



Russellstoll®**International Amperages – UniGard™ Series Specifications****Performance - Electrical**

Dielectric Voltage Withstand	3000 Volts for 1 minute per IEC309-1, Clause 19
Maximum Working Voltage	690VAC/250 VDC (minimum creepage and clearances per IEC)
Current Interrupting/Load Breaking	Tested to 125% rated current at 110% rated voltage per IEC309-1 clause 20.
Temperature Rise	Maximum 50°C rise at rated current per IEC309-1 Clause 22, Table 8
Endurance with Load Per IEC309-1 Clause 21	16 Amp: 5000 cycles; Load only 32 Amp: 1000 cycles - Alternating load 63 Amp: 1000 cycles - Alternating load 100 Amp: 250 cycles - Alternating load

Performance - Mechanical

Cold (-25°C) Impact Resistance	Per IEC309-1 Clause 24; (-25°C) with 75cm drop
Cable O.D. Accommodation	Round portable service cords from 14.5mm O.D. through 50mm O.D.
Terminal Identification	In accordance with IEC309-1 standards; as L1-L2-L3-N-G
Cable Pull-Out Force	In accordance with IEC309-1, Clause 23
Product Identification	Molded-in product Trademark(s) and CE Mark on packaging

Performance - Environmental

Moisture Resistance	Per 309-1; Watertight flap/screw cover on IP67 devices or flap cover on IP44 devices
Flammability	Per IEC 695-2-1; Housing glow wire tested to 650°C; Contact carrier insert tested to 850°C
Operating Temperatures	Maximum Continuous 90°C/194°F, Minimum -25°C/-13°F with impact
Chemical Resistance	Resists standard industrial hydrocarbons, acids, bases and solvents
Corrosion Resistance	All metallic components stainless steel or nickel plated brass Sleeve pressure rings of zinc plated steel
UV Resistance	External Thermoplastic components are UV stabilized IP67 Series 2 is suitable for outdoor use

Materials

Housing	Valox®
Contact Carriers	Valox®
Cable Gland Nut	Valox®
Cable Bushing	Solid neoprene, onion ring type
O-Ring, Seals & Gaskets	Solid neoprene
Pins & Sleeves	Nickel plated brass
Sleeve Force Ring	Zinc plated steel
Terminal Screws	Nickel plated steel
Flap/Screw Cover Springs	Stainless steel
EZ Klik™ Spring	Stainless steel
Mounting Flanges	Valox®
Cast Enclosures/Adapters	2 Layer Electrostatic epoxy coated, copper-free aluminum enclosures (Valox® Euro style NM available)



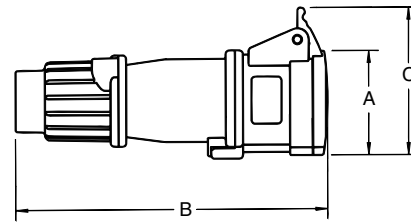
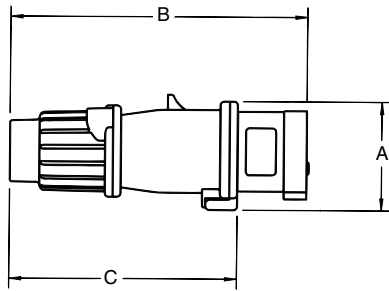
E205590



H

Russellstoll®

UniGard™ Series IP44 Dimensions



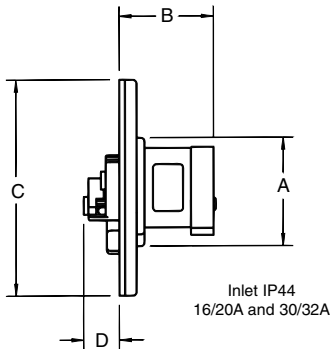
Plug IP44

Cat. No.	A		B		C		Cord Grip Range	
	inches	mm	inches	mm	inches	mm	inches	mm
16/20A 2P3W	2.26	58	6.20	157	4.76	121	.570-.710	14-18
16/20A 3P4W	2.52	64	6.47	164	5.04	128	.570-.710	14-18
16/20A 4P5W	2.85	73	7.02	178	5.58	142	.570-.710	14-18
30/32A 2P3W	2.85	73	7.37	187	5.58	142	.675-.910	17-23
30/32A 3P4W	2.85	73	7.37	187	5.58	142	.675-.910	17-23
30/32A 4P5W	3.13	80	8.15	207	6.36	162	.675-.910	17-23

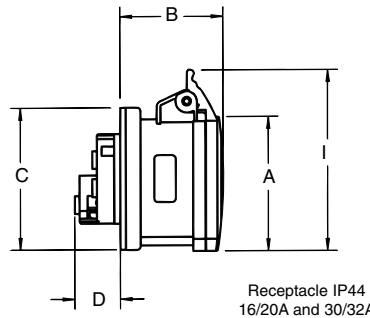
Connector IP44

Cat. No.	A		B		C		Cord Grip Range	
	inches	mm	inches	mm	inches	mm	inches	mm
16/20A 2P3W	2.18	55	6.53	166	3.07	78	.570-.710	14-18
16/20A 3P4W	2.43	62	6.83	173	3.33	85	.570-.710	14-18
16/20A 4P5W	2.81	71	7.41	188	3.79	96	.570-.710	14-18
30/32A 2P3W	2.81	71	7.81	198	3.79	96	.675-.910	17-23
30/32A 3P4W	2.81	71	7.81	198	3.79	96	.675-.910	17-23
30/32A 4P5W	3.09	79	8.62	219	4.17	106	.675-.910	17-23

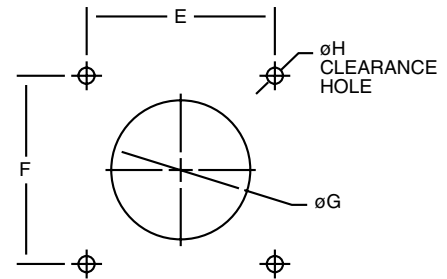
Russellstoll®



Inlet IP44
16/20A and 30/32A



Receptacle IP44
16/20A and 30/32A



Inlet IP44

Cat. No.	A		B		C		D		E		F		G		H	
	inches	mm	inches	mm	inches	mm	inches	mm	inches	mm	inches	mm	inches	mm	inches	mm
16/20A 2P3W	2.26	58	1.96	50	4.50	114	.75	19	3.87	98	3.87	98	2.38	60	.282	7.2
16/20A 3P4W	2.52	64	1.96	50	4.50	114	.75	19	3.87	98	3.87	98	2.38	60	.282	7.2
16/20A 4P5W	2.85	73	1.96	50	4.50	114	.75	19	3.87	98	3.87	98	2.38	60	.282	7.2
30/32A 2P3W	2.85	73	2.32	59	4.50	114	1.32	34	3.87	98	3.87	98	2.38	60	.282	7.2
30/32A 3P4W	2.85	73	2.32	59	4.50	114	1.32	34	3.87	98	3.87	98	2.38	60	.282	7.2
30/32A 4P5W	3.13	80	2.32	59	4.50	114	1.32	34	3.87	98	3.87	98	2.38	60	.282	7.2

Receptacle IP44

Cat. No.	A		B		C		D		E		F		G		H		I	
	inches	mm	inches	mm	inches	mm	inches	mm	inches	mm	inches	mm	inches	mm	inches	mm	inches	mm
16/20A 2P3W	2.18	55	2.11	54	2.97	76	0.94	24	2.36	60	2.36	60	2.38	60	.219	5.5	3.07	78
16/20A 3P4W	2.43	62	2.13	54	2.97	76	0.94	24	2.36	60	2.36	60	2.38	60	.219	5.5	3.33	85
16/20A 4P5W	2.81	71	2.17	55	2.97	76	0.94	24	2.36	60	2.36	60	2.38	60	.219	5.5	3.79	96
30/32A 2P3W	2.81	71	2.56	65	2.97	76	1.52	39	2.36	60	2.36	60	2.38	60	.219	5.5	3.79	96
30/32A 3P4W	2.81	71	2.56	65	2.97	76	1.52	39	2.36	60	2.36	60	2.38	60	.219	5.5	3.79	96
30/32A 4P5W	3.09	79	2.60	66	2.97	76	1.52	39	2.36	60	2.36	60	2.38	60	.219	5.5	4.17	106