

Russellstoll®

UniGard™ IEC 309 Safety Interlock



Watertight – IP67

- “W” suffixes (UL Type 4X construction).
- Rugged thermoplastic housings resist impact or abuse and provide excellent corrosion resistance.
- Rugged VØ-5VA Flameproof Housings.
- Ideal for outdoor, wet, marine and washdown applications.
- Unique industry-first circuit breaker interlock.
- US: 20, 30, 60, &100 Amp sizes.
- International: 16, 32, 63, 125 Amp sizes.

Splashproof – IP44

- “S” suffixes (NEMA 3R construction).
- Suitable for indoor use where splashing liquids and other contaminants may interfere with electrical connections.
- Ideal for most heavy commercial applications and light industrial applications.
- US 20 & 30 & 60A ratings.
- International 16, 32 and 63A ratings.



E211951
E47955



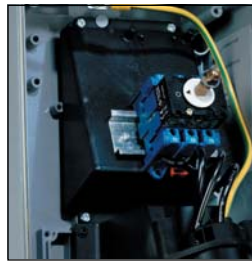
New IEC 309 Safety Interlock – The UniGard™ Difference

The Only True Circuit Breaker Interlocked IEC 309 Receptacle – (Outlet)

- Circuit breaker integrated interlock mechanism.
- UL489 listed 22KAIC protection.
- Alternate trip ratings available.
- Auxiliary switch option.

OR

Switched-only Version



- Rugged UL listed switch.
- Proven performance components.
- Thru 600 VAC. 4p5w + auxiliary contacts capable.



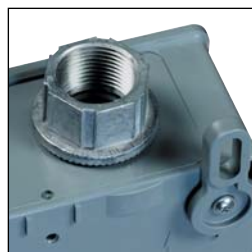
Protection and Safety in Power Delivery

- Red vertical **ON** indication.
- Lock on **and** Lock off positions.
- Branch circuit load and operation protection, or switched-only version (shown).



Mount It Anywhere

- Swivel 3 or 4 point feet variable footprint for flexible mounting.
- Fits in web of 8" I-Beams.



Wire It Up, Sideways or Down

- Top, side, and bottom entry.
- Industry standard entry sizes.

Top & Bottom	Top	Side Entry
20/30 Amp	60/100 Amp	All

Thomas & Betts

Russellstoll®

UniGard™ IEC 309 Safety Interlock

Integral UL489 22KAIC
Circuit Breaker OR
Switched Interlocked
Receptacle



Top or Side
Conduit Entry

Gasketed UL Type-
4X Construction

Auxiliary
Switch
and/or
Trip Frame
Ratings
Available

Bottom Conduit Entry –
Optional 30/60A
Location

5 Mounting
Points for
3 or 4 Tab
Mounting

Adjustable Feet
fit any existing
mounting!

External
DIN Rail
Hard-Points

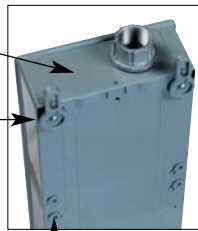
Sturdy Bright Red EZ
Handle (Vertical - on)
Lock-off & Lock-on
Positions

UL94 V0-5VA
Flame Rated
Housing &
External
Components

Voltage &
Polarization
Labeled and
Color Coded

Accepts UniGard™
Plugs and all
Approved
IEC 309 lines

IP67 Color Coded
Flap Screw Cap
IP44 splashproof
also available



Russellstoll®

Russellstoll[®]

UniGard™ IEC 309 Safety Interlock

New Russellstoll[®] UniGard™ IEC 309 Circuit Breaker Interlocked Receptacle

16/20A, 30/32A, 60/63A and 100/125A International and U.S. Ratings

IN ALL STANDARD VOLTAGE POLARIZATIONS:

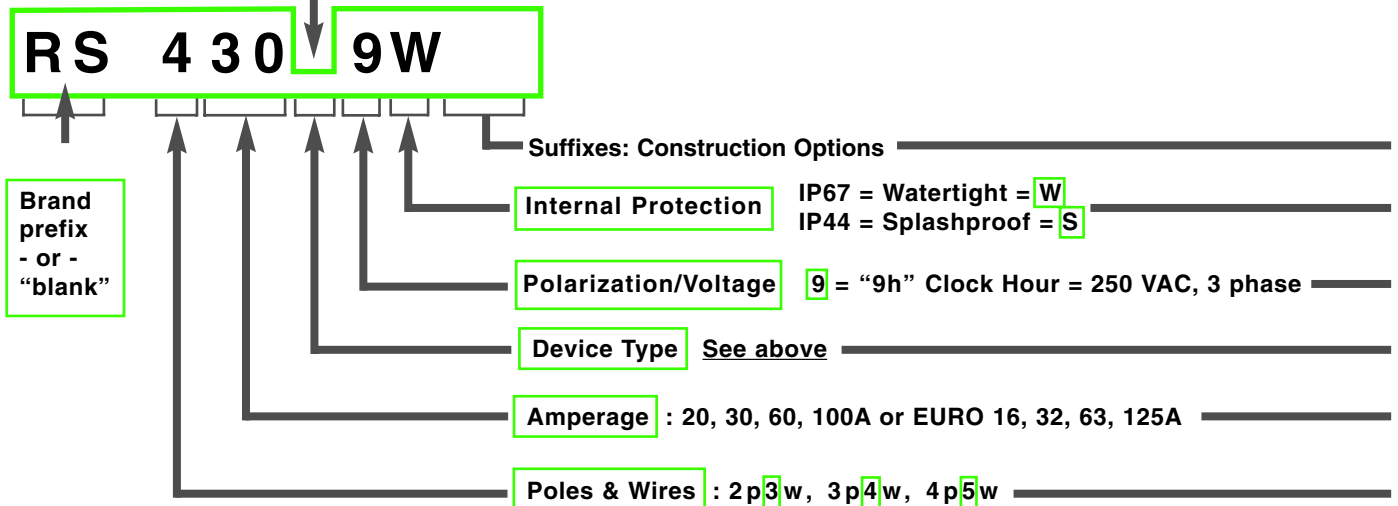
Range	Color Code	Usage (N. Amer., R.O.W. Euro)	2p3w	3p4w	4p5w
110-130V	Yellow	No. Amer. / Euro.	4h	4h	-
208-250V	Blue	N. Amer. / Euro.	6h	9h	9h
380-415V	Red	Euro.	9h	6h/3h (spec)	6h
500V +	Black	N. Amer. / Euro.	-	5h	5h
277/480V	Red	N. Amer. (black-Euro)	7h	7h	7h
277V	Gray	N. Amer.	5h	-	-
125/250V	Orange	N. Amer.	-	12h	-
250/440V	Red	Latin America / N. Amer	-	11h	11h/3h
to 600V, to 400Hz	Green	N. Amer. / Euro.	2h	2h	2h

Contact T&B for other special polarizations.

Specifications for Any New or Replacement Project

2 options
available

- MT** **Integral Circuit Breaker (UL231 & UL489) Power Outlet**
> (replaces all Fused-Switched competitor "FMIR" or "MIF" series) (US amperage only)
- MI** **Rotary Switched (UL508 & UL98) Manual Motor Controller Outlet**
> (replaces all Switched-only competitor "MI" or "MIR" series) (All amperages)



H
Russellstoll[®]

Thomas & Betts

Russellstoll®

UniGard™ IEC 309 Safety Interlock

Specifications: IEC 309 Interlocked Receptacles – North American Standards

Performance – Electrical

Dielectric Voltage Withstand	3,000 Volts
Maximum Working Voltage	480 Volts RMS (circuit breaker version) 600 Volts RMS (switch version)
Current Interrupting	Certified for current interrupting at full rated current and voltage.
Short-circuit Current Rating Operations	10,000 RMS symmetrical amperes Mechanical: 10,000 cycles Electrical: 6,000 cycles
HP Ratings (switch version) Circuit Breaker UL Listed Interrupting Rating	Complies with NEC 430-151 ratings. 22,000 AIC

Performance – Mechanical

Cold (-35°C) Impact Resistance	In accordance with UL 746C.
Wiring Accommodations	Suitable for metallic conduit. Conduit entry locations at enclosure top and bottom (60A & 100A top only).
Terminal Identification	In accordance with UL, CSA and IEC309 conventions.
Product Identification	Identification, ratings and color-code in accordance with UL, CSA and IEC309 requirements.
Lockout/Tagout	ON and OFF lockout/tagout capability at switch handle. Complies w/ OSHA Reg. 29CFR 1910.147
Mounting	External adjustable feet.

Performance – Environmental

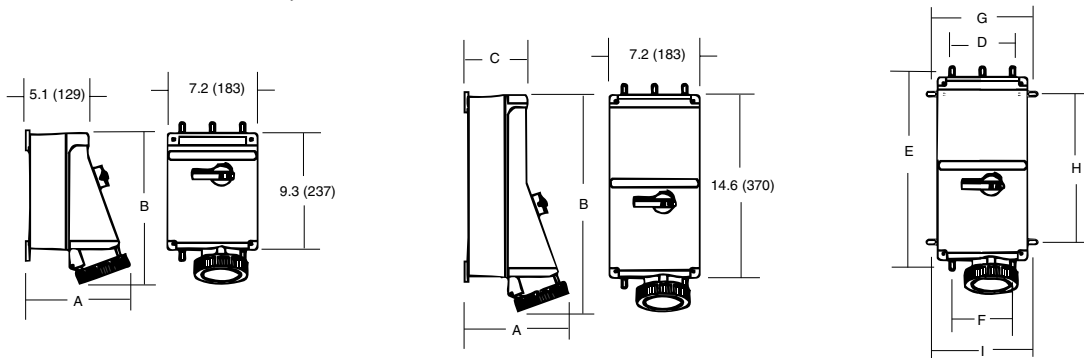
Moisture Resistance	Screw cap version: #UL type 4X, IP67 Flap cap version: IP44
Flammability	UL94-5VA & V0 classifications
Operating Temperatures	Maximum Continuous: 60°C (140°F) Minimum Continuous: -40°C (-40°F)
UV Resistance	UV stabilized material
Chemicals	Resists most standard industrial hydrocarbons, acids, bases and solvents.

Materials

Enclosure (all exterior components)	UL94-5VA/V0, UV stabilized, impact modified Valox.
Contact Carrier	Molded arc resistant UL94-V0 thermoplastic.
Gaskets	Neoprene or EPDM
Contacts (sleeves)	Nickel plated brass
Hardware (screws & springs)	Steel with zinc-plated blue chromate or nickel plating.

Approvals & Compliances

UL 508 & UL98 (switch version), UL 231 & UL489 (circuit breaker version), UL 1682
CSA C22.2 No. 14, 182.1
IEC309-1, -2



OVERALL DIMENSIONS (inches - mm)

OVERALL DIMENSIONS (inches - mm)

MOUNTING DIMENSIONS (inches - mm)

16/20A, 30/32A & 60/63A SWITCH VERSIONS							30A & 60A BREAKER AND 100A/125A SWITCH & BREAKER VERSIONS				
DIM.	16/20A		30/32A		60/63A		30A		60A		100/125A
	IP44	IP67	IP44	IP67	IP44	IP67	IP44	IP67	IP44	IP67	IP67
A	7.5 - 140	8.0 - 203	7.7 - 196	8.2 - 208	8.0 - 203	8.5 - 216	7.7 - 196	8.2 - 208	8.0 - 203	8.5 - 216	9.8 - 249
B	10.8 - 273	10.9 - 277	11.2 - 284	11.4 - 289	11.9 - 302	12.2 - 309	16.4 - 417	16.5 - 418	17.0 - 432	17.4 - 443	17.7 - 450
C	5.1 - 129	5.1 - 129	5.1 - 129	5.1 - 129	5.1 - 129	5.1 - 129	5.1 - 129	5.1 - 129	5.1 - 129	5.1 - 129	5.6 - 149

DIM.	16/20A 30/32A 60/63A SWITCH	30A 60A BREAKER	100/125A SWITCH 100A BREAKER
D	5.5 - 140	5.5 - 140	5.5 - 140
E	10.0 - 254	15.2 - 387	15.2 - 387
F	5.5 - 140	5.5 - 140	6.0 - 152
G	8.0 - 203	8.0 - 203	8.0 - 203
H	7.5 - 191	12.8 - 324	12.8 - 324
I	8.0 - 203	8.0 - 203	8.5 - 215

* 3-pt. and 4-pt. mounting positions available. 100A versions have 4-pt. mounting position only.
* Adjustable mounting feet, vertical or horizontal.
* slotted through holes for easier alignment.

Russellstoll®