

Russellstoll®

Ever-Lok® Locking Connections – Accessories

Mounting options for Midget and Standard Everlok

Type FS (shallow) & Type FD (deep)

Aluminum boxes have 6-32 cover mounting holes tapped to accommodate all FS and FD cover assemblies.
Brass boxes have 10-24 cover mounting holes tapped to accommodate all FS and FD cover assemblies.



Single Gang



Two Gang



DSFD

No. of Gangs	Type	Cast Aluminum	Cast Brass	*Overall Dimensions
Single	FS	3701A	3721	4.12" x 2.62" x 2.31"
	FD	3711A	3731	4.12" x 2.62" x 2.94"
	DSFD	3781A	3782	4.12" x 3.62" x 4.12"
Two	FS	3702A	3722	4.12" x 5.5" x 2.25"
	FD	3712A	3732	4.12" x 5.62" x 2.87"

Notes:

When type FD devices are to be mounted in boxes, type FD boxes should be used. FS boxes will not accommodate FD devices.

Mounting – all the above boxes are for surface mounting. For flush mounting see page H104.

Boxes – Cast brass, natural finish. Cast aluminum, corrosion resistant copper-free alloy, epoxy powder coat finish.

* Dimensions are overall exclusive of conduit pads and mounting lugs.

Conduit Entries – unless otherwise specified, furnished with one .75" outlet per gang, top or bottom. Additional conduit entries available – see price list. Specify size and location.

Maximum Conduit – FS and FD: 1", one per gang top and bottom and one each side.

DSFD: one 1.5" or two .5" top and bottom.

Cast iron available on special order – consult factory.

Type FSWS and FDWS (with mounting shelf for box-mounted devices)

Aluminum Die-Cast Boxes with cover mounting holes tapped for 6-32 screws to accommodate all FS and FD cover assemblies.

Cat. No.	Conduit Entries	
	Top	Bottom
FSWS-62	¾"	NA
FDWS-62	¾"	NA
FDWS-622	¾"	¾"
FDWS-63	1"	NA
FDWS-633	1"	1"



Notes:

Boxes – Aluminum die-cast, corrosion-resistant, copper-free alloy, epoxy powder coat finish.

Conduit Entries – standard as listed.

Mounting – all of the above boxes are for surface mounting.

Russellstoll®

Ever-Lok® Locking Connections – Accessories

Adapter Flush Frames*

No. of Gangs	Cast Aluminum	Cast Brass	Overall Dimensions
1	3671A	3681	5" x 3.5"
2	3672A	3682	5" x 6.5"



Blank Cover*

Covers Standard FS/FD box openings:

Cast Aluminum	3677A
Cast Brass	3687



Flush Wall Mounting Extension*

Cast Aluminum	3679A
Cast Brass	3679B



45° Angle Adapter*

Mounts to any FS/FD box.

Cast Aluminum	3678A
Cast Brass	3678B



Adapter Sub-Plate

The addition of this adapter sub-plate will permit the use of Ever-Lok conduit box-type receptacles in switch boxes or outlet boxes with raised covers, as listed. Used on standard (deep) stamped metal conduit boxes. Adapts two hole to four hole patterns.

Cast Aluminum	8091A
---------------	--------------



* Furnished complete with gasket and screws.

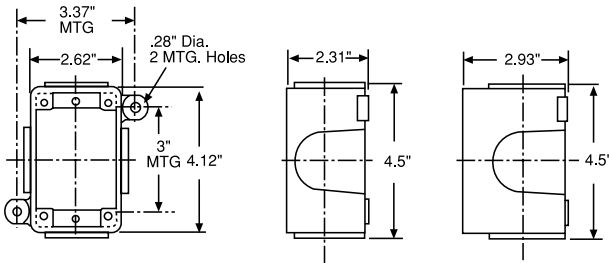
Materials: Cast aluminum, corrosion-resistant, copper-free alloy, epoxy powder coat finish. Cast brass, natural finish.

Russellstoll®

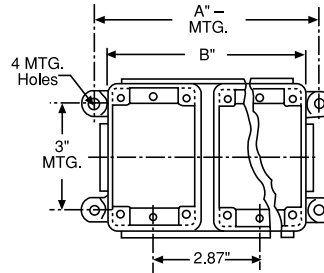
Ever-Lok® Locking Connections – Accessories

Type FS & FD

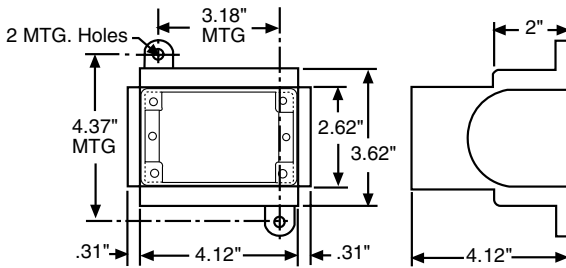
Single Gang



Multiple Gang



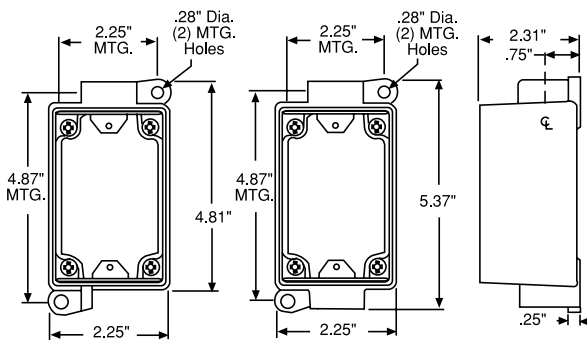
DSFD



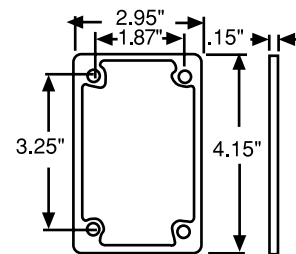
Multiple Gang Dimensions

	A		B	
	FS	FD	FS	FD
2-Gang	6.50"	6.50"	5.50"	5.62"
3-Gang	11.25"	9.37"	10.37"	8.50"
4-Gang	14.12"	12.25"	13.25"	11.37"

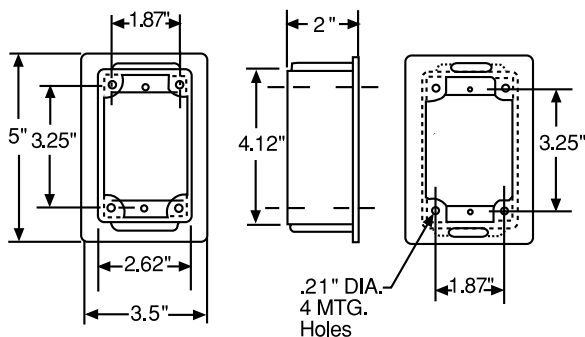
Type FSWS & FDWS



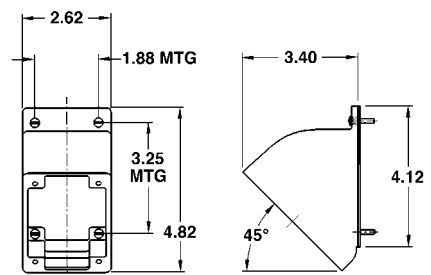
Blank Cover



Flush Mounting Extension



45° Angle Adapter



Combination Gland Nut and Cable Clamp



Provides extra clamping protection in hard service applications. Relieves terminals and rubber gland of all cable strain.

Plug or Connector Size	Cast Aluminum Cat. No.	Cast Brass Cat. No.	Max. Cable Dia.
10 Amp	3905	3905B	.62"
20 Amp	3906	3906B	1.12"
30 Amp			

Notes:

Material – cast aluminum, corrosion-resistant, copper-free alloy, cast brass, epoxy powder coat finish and cast brass.

Conduit Adapters



Adapter tapped with NPT thread to accommodate armored and non-metallic cable or flexible conduit.

Plug or Connector Size	Cast Aluminum Cat. No.	Cast Brass Cat. No.	Tapped Hole NPT
15 Amp	FSA11	FSA11B	.5"
	FSA12	FSA12B	.75"
30 Amp	FSA21	FSA21B	.5"
50 Amp	FSA22	FSA22B	.75"
	FSA23	FSA23B	1"

Russellstoll®

Cable Bushings

Hole Diameter for Cable	Size 1 Midget Everlok	Size 2 STD. 15 AMP	Size 3 20, 30 & 50 Amp
.250"	MG0		
.313"		SG05	
.375"		SG1	JG31
.438"	MG15	SG15	
.500"	MG2	SG2	JG32
.531"		SG2A	
.563"	MG25	SG25	JG325
.594"	MG2B	SB2B	
.625"		SG3	JG33
.688"		SG3A	
.750"		SG4	JG34
.875"			JG35
1.000"			JG36*
1.125"			JG361**



Size 2 Cable Bushing



Size 3 Cable Bushing

Material – oil resistant neoprene.

Size 3 Cable Bushing:

*Style for Maximum Cable only.

**Special minimum wall style.

Notes:

Bushing Specials available at time of order.

When standard plugs or connectors are required to be furnished with one or more of the above accessories, add the suffix and catalog number of the accessory selected to the catalog number of the plug or connector. Complete list price is the total of the list price of the device plus the list price of the accessory.

EXAMPLE — Catalog No. SKP3G with adapter tapped 3/8" would be Catalog No. SKP3G/JG31.